

Table of contents

Pellet traps - air guns	2
Bullet traps - black powder	2
Range Targets & Accessories	3

Prices VAT 25,5%, factory in Finland
Hinnat ALV 25,5%, tehtaalla suomessa

SALES

Line Teppdalen +479 593 1763
line.teppdalen@inband-hertar.com



Design Manager & suomen myynti:

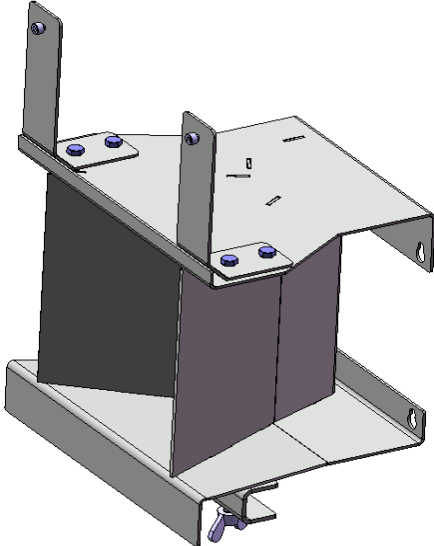
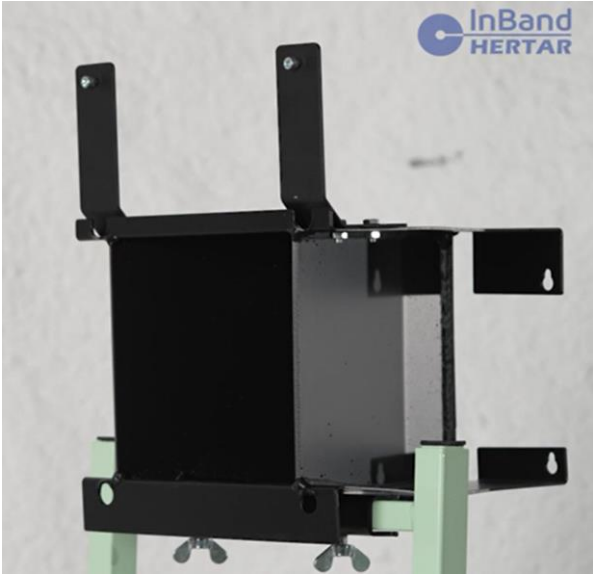
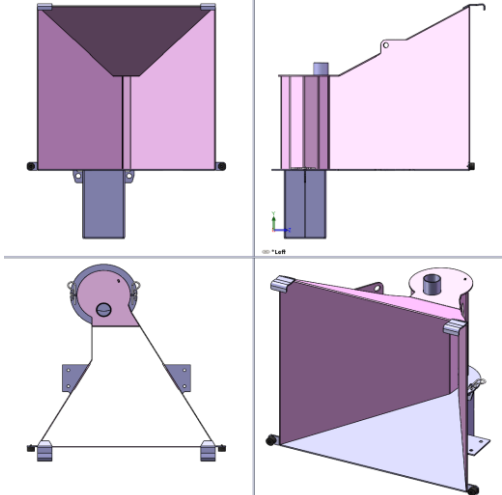
Lasse Syrjä 045 271 1490
lasse@inband-hertar.com

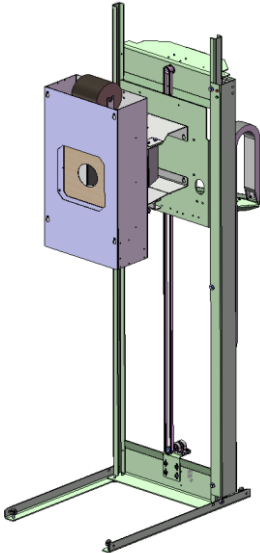
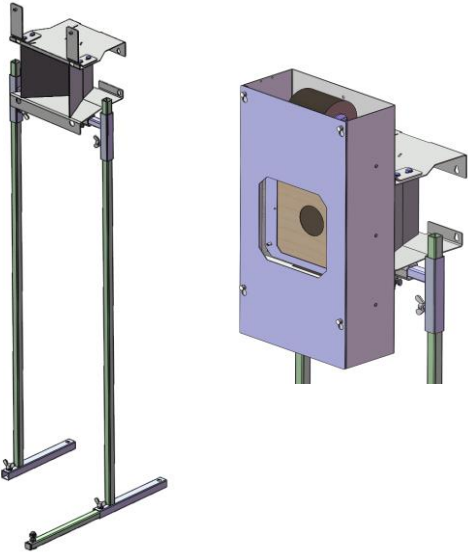
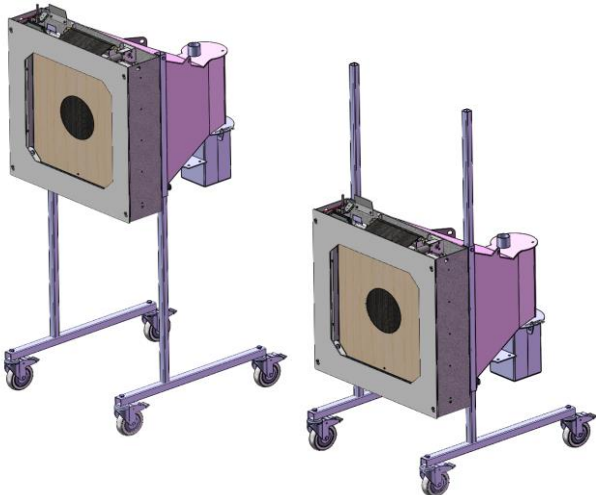


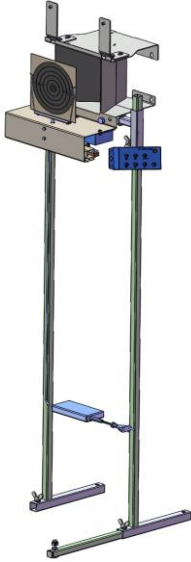
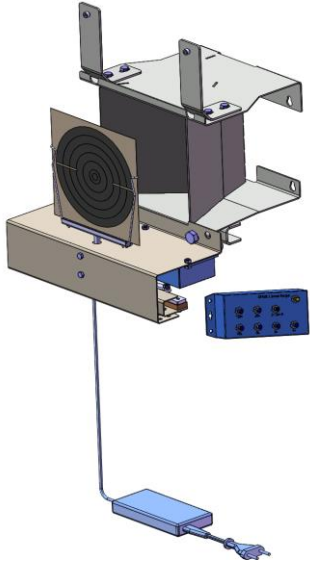
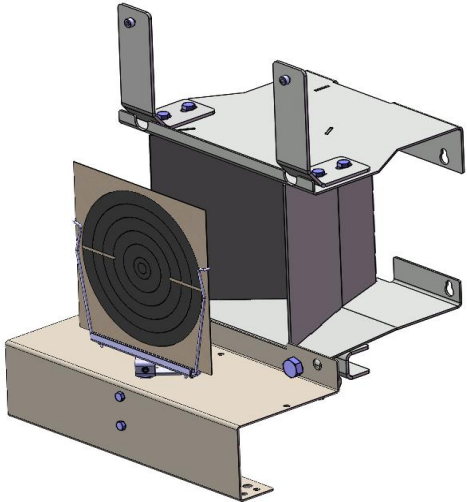
YouTube HERTAR Oy


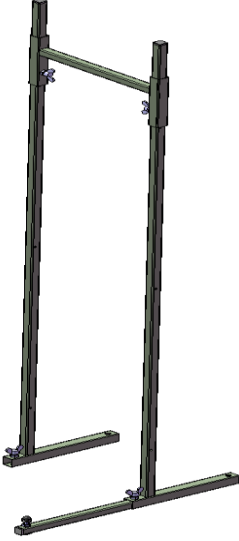
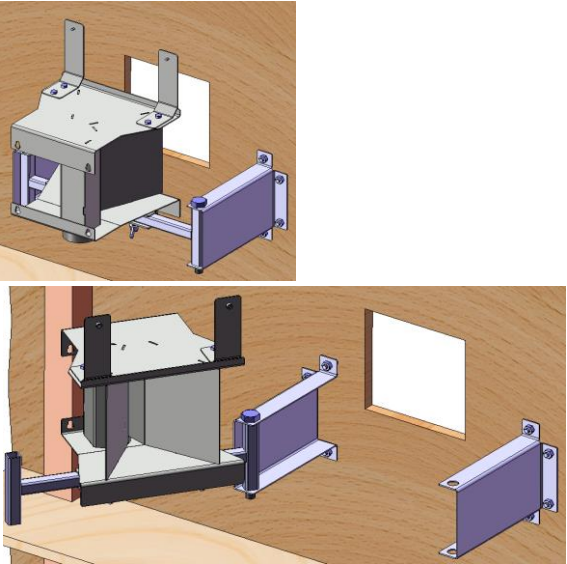
<https://www.youtube.com/playlist?list=PLsZzUVXTiJuAawYpui3CH3H9ss8MEx-vq>

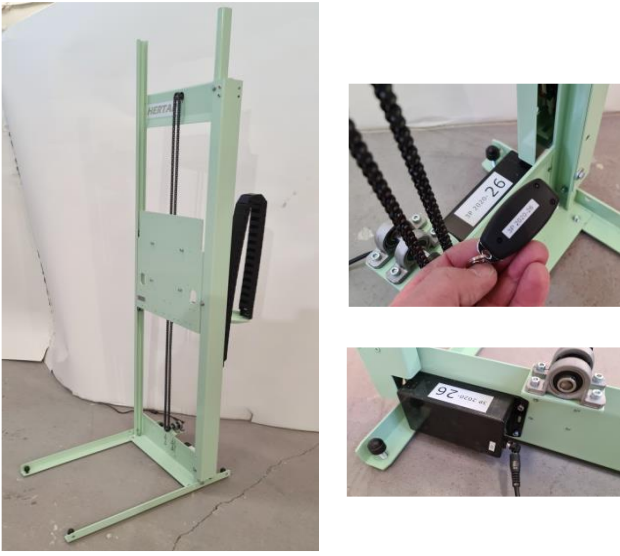

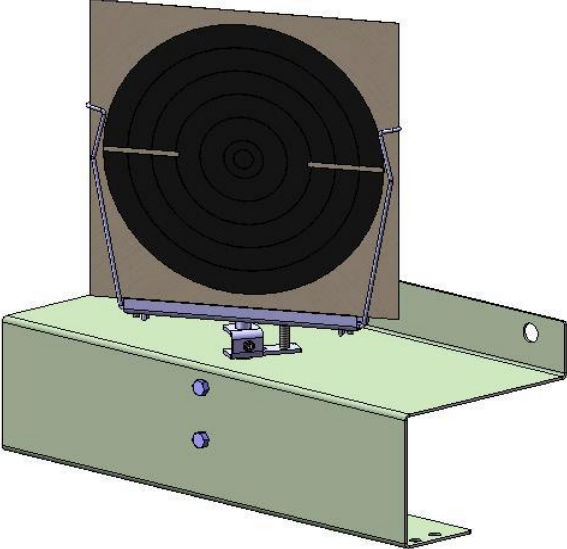


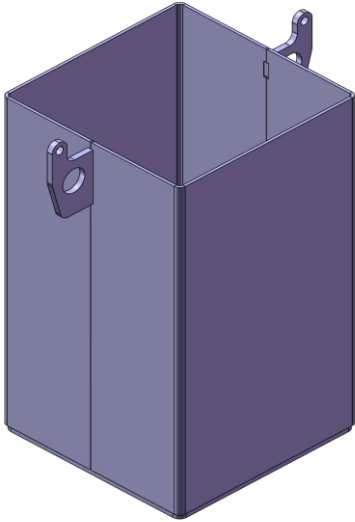
Product	Features	€	Image
Pellet traps - air guns			
3329	<p>170x170 depth 200</p> <p>InBand special product</p> <p>No separate adapter is required</p> <ul style="list-style-type: none"> - light Pellet trap 3,5kg - wall-mounted from rear or fastening to H-part (4112) - to the front it is possible to fasten InBand Electronic target <p>Powder paint RAL7035, gray</p>	180	
Bullet traps - black powder			
3982	<p>170x170 22 lr. depth 252</p> <p>InBand special product</p> <p>Machine Felt (3527)</p> <p>No separate adapter is required</p> <ul style="list-style-type: none"> - light Pellet trap 6,2kg - wall-mounted from rear or fastening to H-part (4112) - to the front it is possible to fasten InBand Electronic target <p>Powder paint, black</p>	285	
4236	<p>600x600 Pistol OMNI</p> <p>InBand special product</p> <ul style="list-style-type: none"> - depth 682mm, mass 51kg - hit surfaces boron steel - round welded - recommended to use vacuum cleaner, especially when using indoors (outlet pipe diameter 51mm) - Trash collector included <p>Painted RAL7035</p>	720	

Product	Features	€	Image
3169	3P Device 3 Position device (2951) 170x170 (3259) and with -Power supply (– 12 V dc system with radio control for "standing", "kneeling" and "prone" – control light indicates red when moving and green when shooting allowed. – chain drive and roller bearings – robust stand is easy to remove (Does not include InBand device)	958	
3483	InBand Pellet with Foot package 170x170 (3329) Foot package (3528) – the height is adjustable with (Does not include InBand device)	320	
4755	InBand Bullet with Foot package 600x600 (4236) Foot package (4202) - the height is adjustable with (Does not include InBand device)	1185	

Product	Features	€	Image
Range Targets & Accessories			
3172	UNO Master with Pellet and Foot package UNO Master with Pellet (2938), Foot package (3528) – the height is adjustable – Possible to connect 5 slaves with wires.	816	
2938	UNO Master with Pellet -UNO Master (3988) -170x170 (3329) -Power supply 12V 5A – 12V gear motor device radio signal control. Seven program; 150s, 20s, 10s, 8s, 6s, 4s, 5x3s+7s.. – Possible to connect 5 slaves with wires.	676	
2939	UNO Slave with Pellet -UNO Slave (2929) -170x170 (3329) – mechanical connection to Master device	436	

Product	Features	€	Image
4202	Foot package OMNI painted RAL7035 or black	464	
3528	Foot package (170x170 Pellet) painted RAL7035 or black	140	
3712	Swivel rack behind the wall Pellet 170x170 (3329) -2pcs support and H-part	238	

Product	Features	€	Image
2951	3 Position device, remote control – 12 Vdc system with radio control for "standing", "kneeling" and "prone" – control light indicates red when moving and green when shooting allowed. – chain drive and roller bearings – robust stand	778	
3988	UNO Turning device Master – 12V gear motor device radio signal control. Seven program; 150s, 20s, 10s, 8s, 6s, 4s, 5x3s+7s. Included in delivery turning device, transformer, remote control jar and remote control after the key. – Possible to connect 5 slaves with wires. – it is possible to connect to all the 170x170 Pellet traps with bolts and nuts	430	
2929	UNO Turning device Slave – mechanical connection to Master device – it is possible to use separately or connect to any 170x170 Pellet traps with bolts and nuts.	210	

Product	Features	€	Image
Range Targets & Accessories			
4286	Trash collector Powder paint Weight empty 3kg and 2/3 full of lead 67kg	119	
T25225	170x170 depth354 OLD design - painted, 4,5kg -old model, new ones and some used in competition -partly welded -fastening H-part (stock 20pcs)	88	